

EVO9

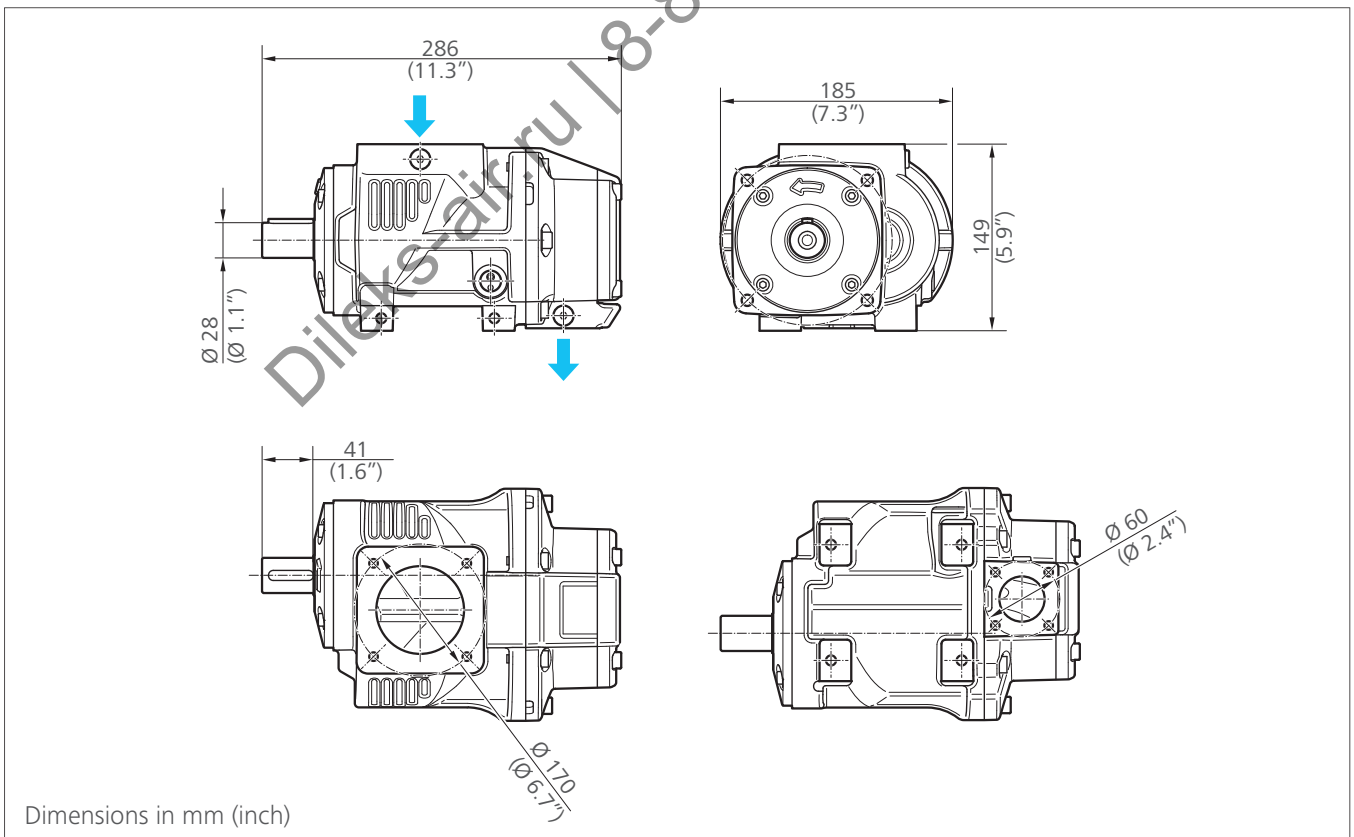
Air end



TECHNICAL SPECIFICATION

› Power range up to	55 kW / 75 HP
› Capacity up to	8.4 m ³ /min / 300 cfm
› Pressure up to	15 barg / 218 psig
› Weight approx.	68 kg / 150 lbs

››› Dimensioning

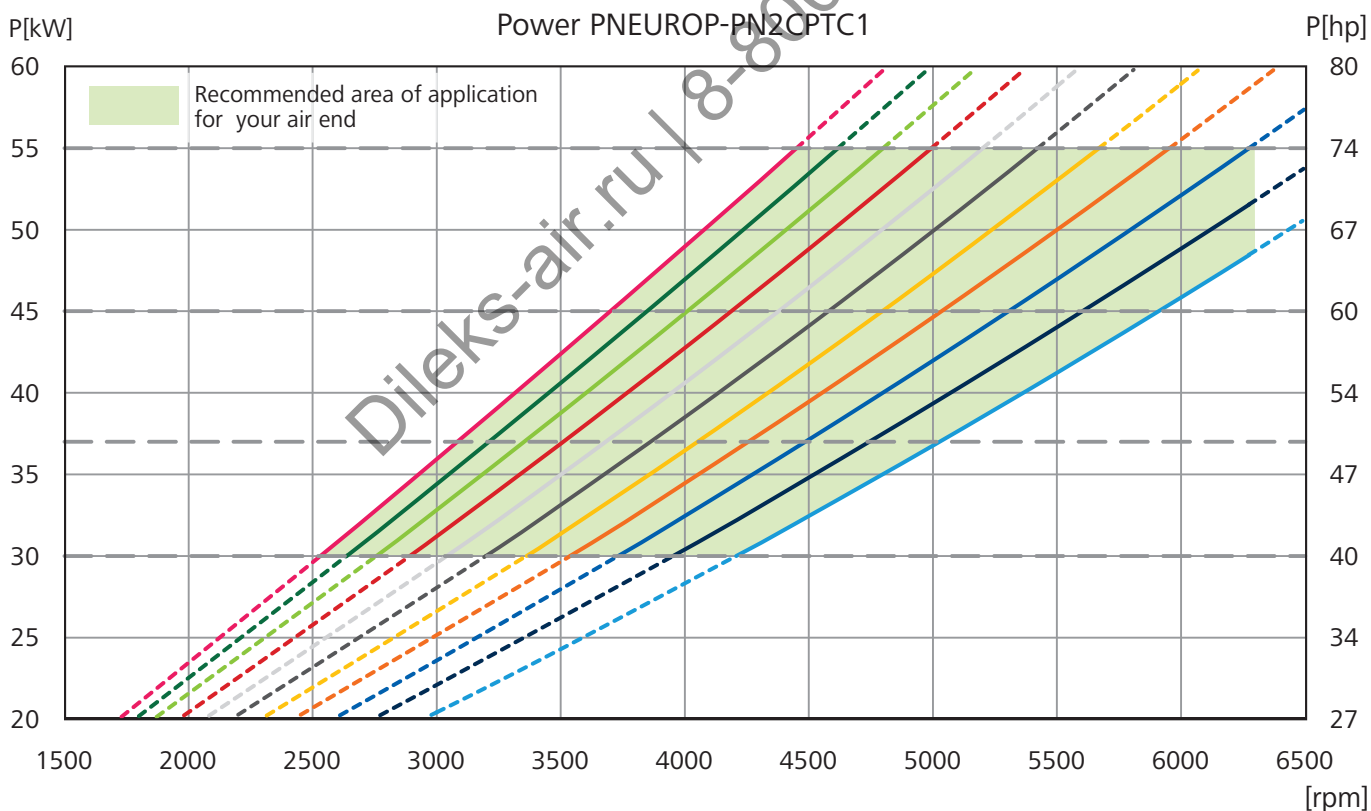
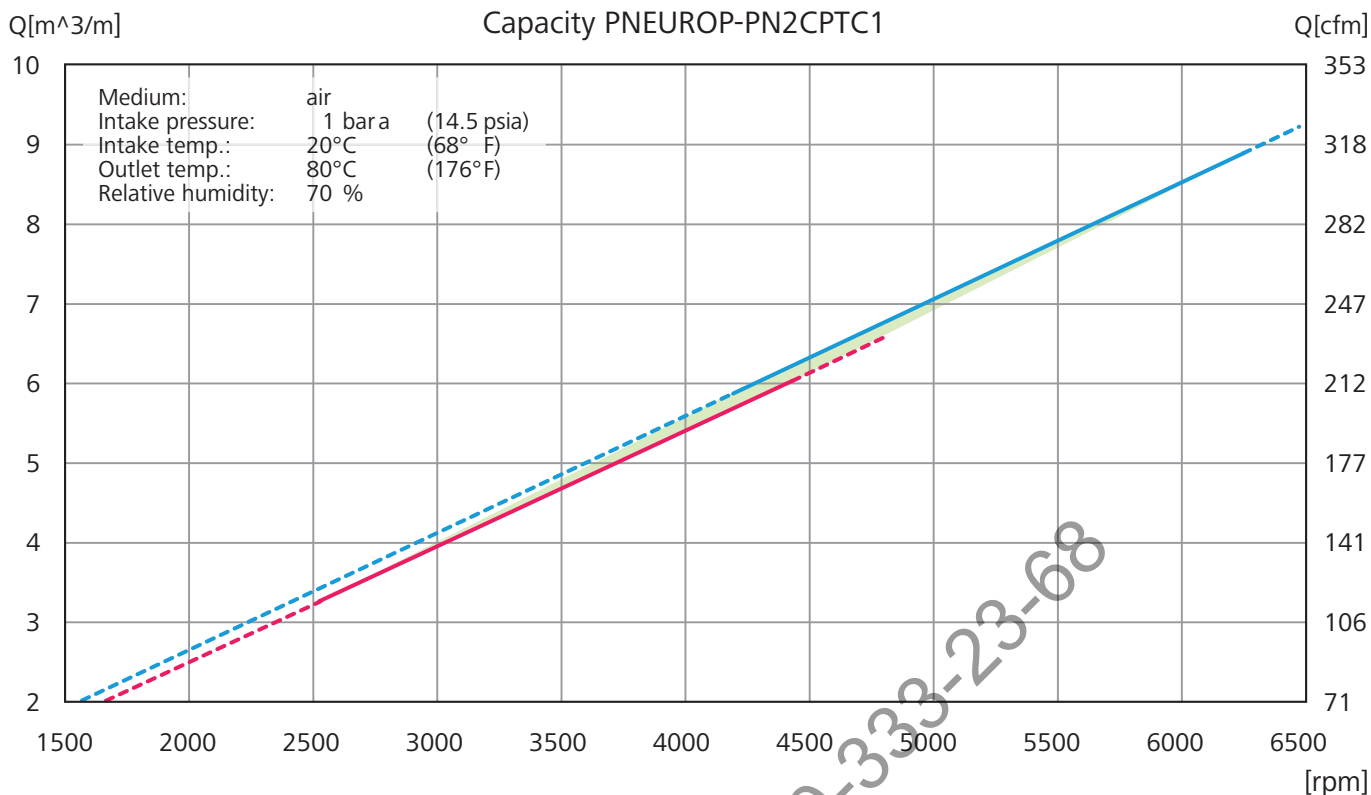


For detailed design, please order the installation drawing/3d model.

Technical modifications and errors excepted!
© 2013 ROTORCOMP®, Germany



Performance Data



— Typical motor characteristic lines

