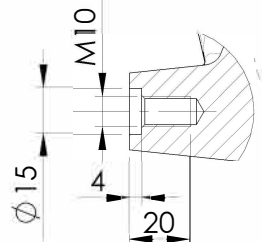
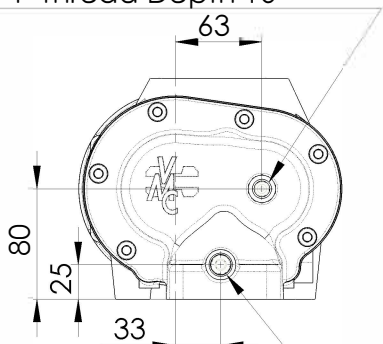


GRUPPO VITE MOD. V90/B
AIR END MOD. V90/B

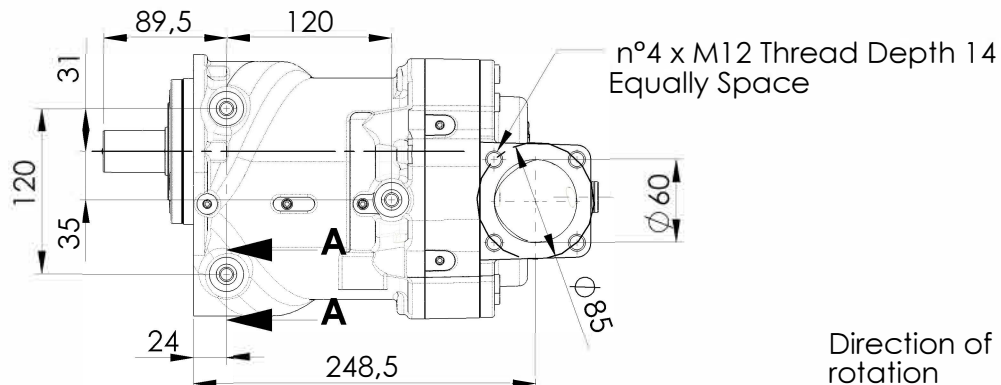
SECTION A-A
3 Holes to baseplate connection



Drainage oil from oil separator
 G1/4" Thread Depth 10

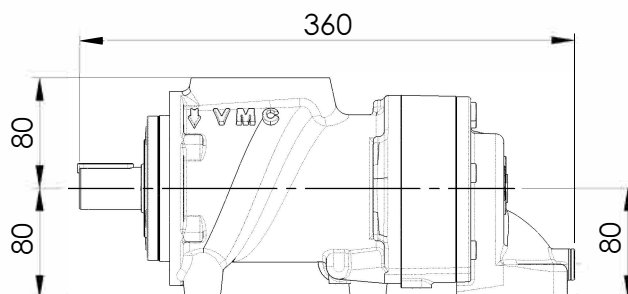
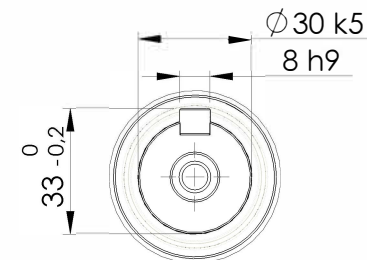


G3/8" Thread Depth 20

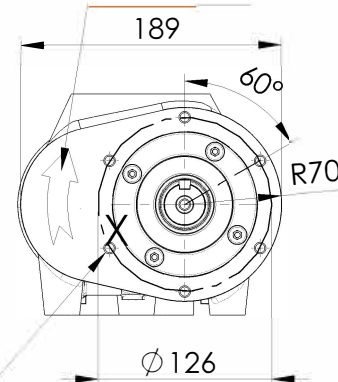


n°4 x M12 Thread Depth 14
 Equally Space

DETAIL X

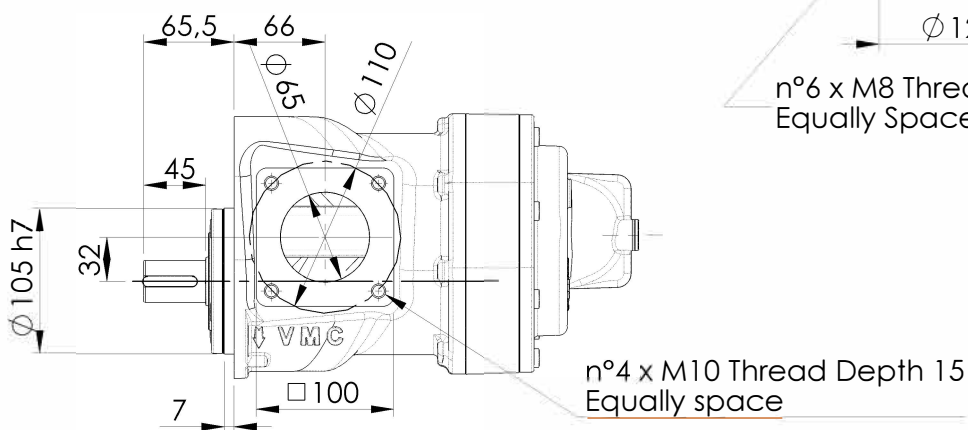
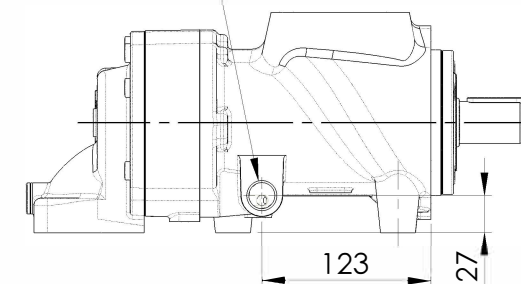


Direction of rotation

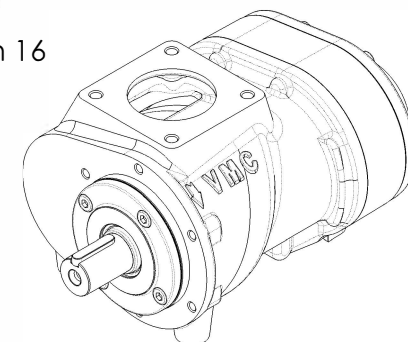


n°6 x M8 Thread Depth 16
 Equally Space

Oil Injection G1/2"
 Thread Depth 17



n°4 x M10 Thread Depth 15
 Equally space



TIPO TYPE	PQ	REVISIONE REVISION	01	DATA DATE	03/07	ARTICOLO ARTICLE	910	MODELLO MODEL	00
--------------	----	-----------------------	----	--------------	-------	---------------------	-----	------------------	----