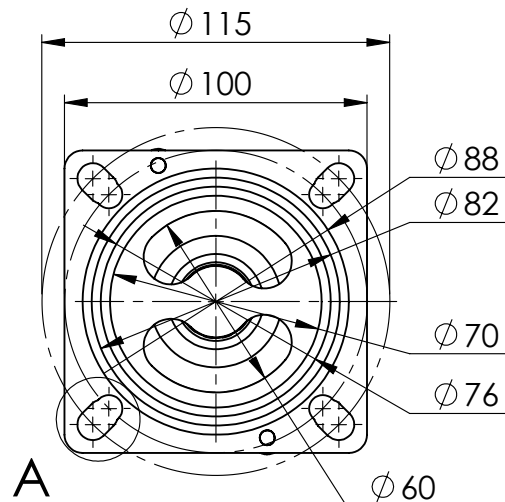
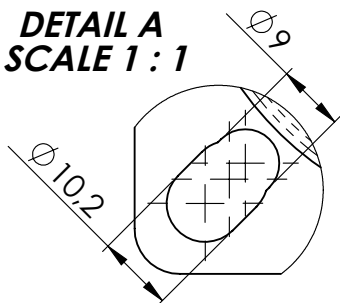
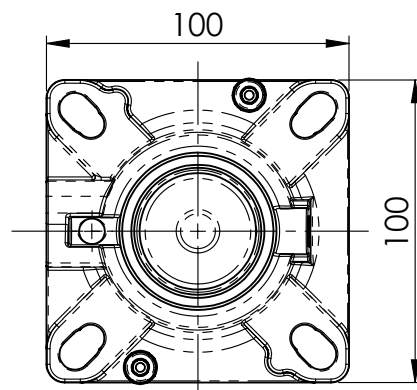
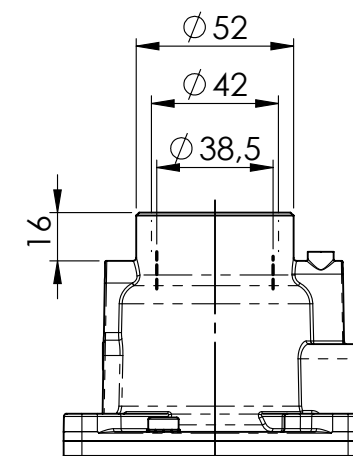
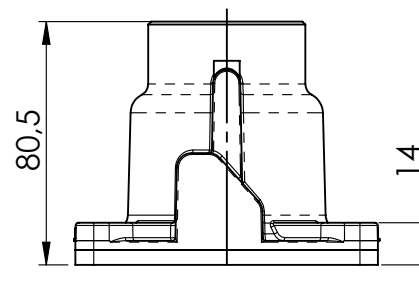
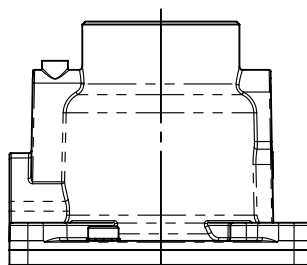
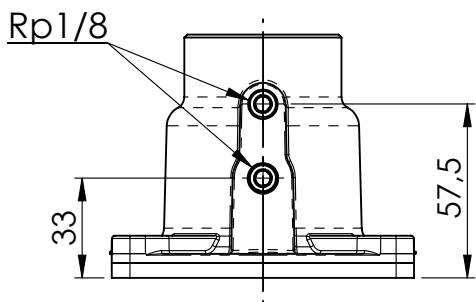


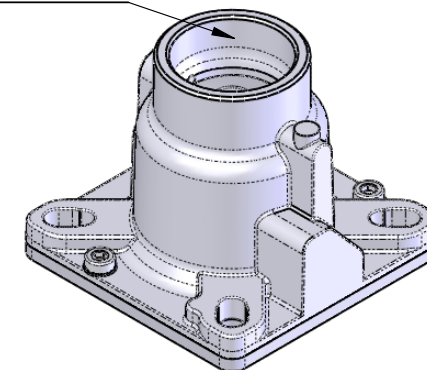
DETAIL A
 SCALE 1 : 1



REGOLATORE ASPIRAZIONE RH38nr
 per elettrocompressori a vite funz. on-off
INTAKE VALVE RH38nr
 for electric screw compressor with on-off working

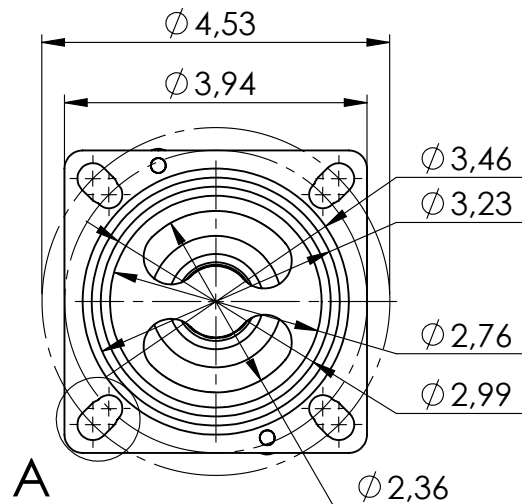
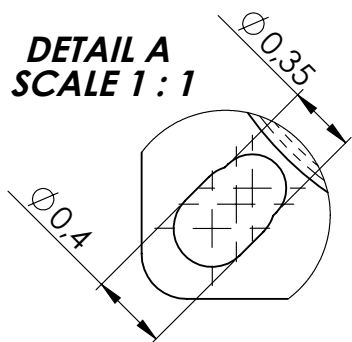
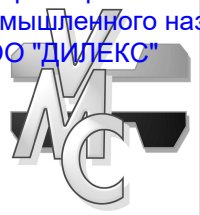


Internal diameter $\phi 42$

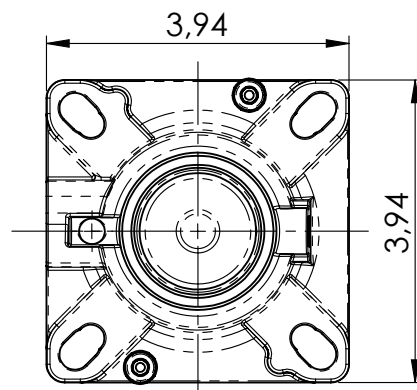
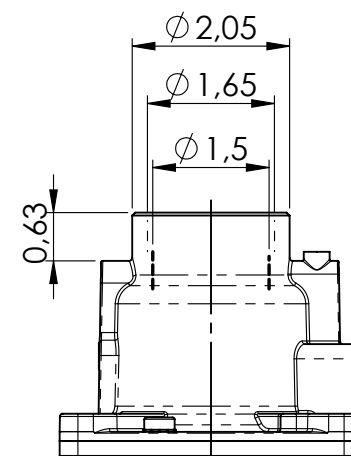
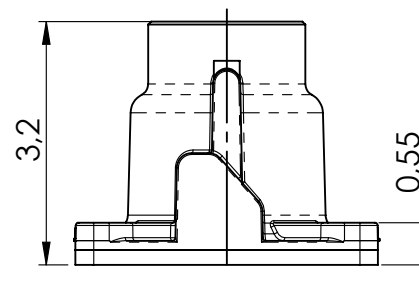
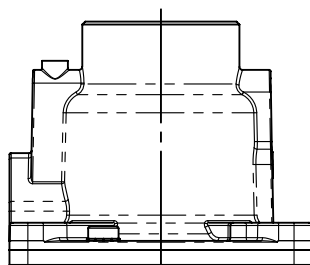
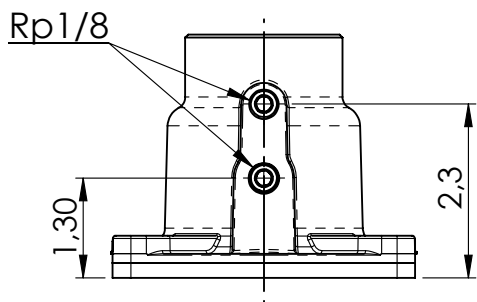


S.I. sistema internazionale
 Le quote mostrate sono in mm
 The showed dimensions are in mm

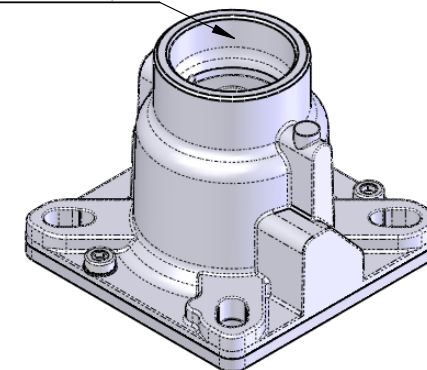
TIPO TYPE	PQ	REVISIONE REVISION	00	DATA DATE	01/09	ARTICOLO ARTICLE	600	MODELLO MODEL	62	00
--------------	----	-----------------------	----	--------------	-------	---------------------	-----	------------------	----	----



REGOLATORE ASPIRAZIONE RH38nr
 per elettrocompressori a vite funz. on-off
INTAKE VALVE RH38nr
 for electric screw compressor with on-off working



Internal diameter $\varnothing 1,65$



U.S. units system
 The showed dimensions are in INCH
 Le quote mostrate sono in POLLICI

TIPO TYPE	PQ	REVISIONE REVISION	00	DATA DATE	01/09	ARTICOLO ARTICLE	600	MODELLO MODEL	62	00
--------------	----	-----------------------	----	--------------	-------	---------------------	-----	------------------	----	----